



(Note, photo is for reference only.)

Features

- Aircraft Quality Power
- Exceeds MIL-STD-704E
- Worldwide AC Input Capabilities:
Up to 600 VAC 3 ph
- $\pm 0.05\%$ Output Regulation
- Low Output Ripple
- UL, CSA, Approvals
- Mean Time Before Failure (MTBF) in Excess of 300,000 Hours
- 100% Burn-In
- 1 Year Warranty
- NEC, NEMA, ANSI, IEEE

Description

The unit is a solid state DC power supply consisting of a SCR regulated full-bridge rectifier, DC filter, controls and monitoring. The DC power supply is designed and constructed using UL listed components and conforms to standards as described below.

Input Parameters

Configuration: 480V AC, 3 Phase
Frequency: 60Hz
Disconnect Devices: Circuit Breaker

Output Parameters

Nominal Voltage: 28VDC
Voltage Adjust Range: 22-32VDC, continuously adjustable
Voltage Regulation: $\pm 1\%$
Full Range Current Limit Control
Peak Intermittent Current: 150% for 1 minute
Current Regulation: $\pm 1\%$
Ripple Amplitude: 1% RMS
Response Time: 100msec
Output Contactor

Protection

On-Off Reset Pushbuttons
Output Voltage Limit Adjust (22 to 32V)
Output Electronic Shutdown
Input MOV
Output MOV
Fan Failure with automatic reset

Metering

Output Voltmeter $\pm 2\%$ Accuracy
Output Ammeter $\pm 2\%$ Accuracy

Front Panel Devices

Power On Indicator
Start/Stop Pushbutton
Fault/Reset Pushbutton
Fault Indicator
Voltage Regulation Potentiometer
Current Regulation Potentiometer

Environmental

Enclosure Type: NEMA 12, Ventilated or NEMA 3R
Outdoor
Color: Manufacturer's Standard
Temperature Range:

- Ambient: -40°C to 55°
- Storage: -40°C to 65°C

Mechanical

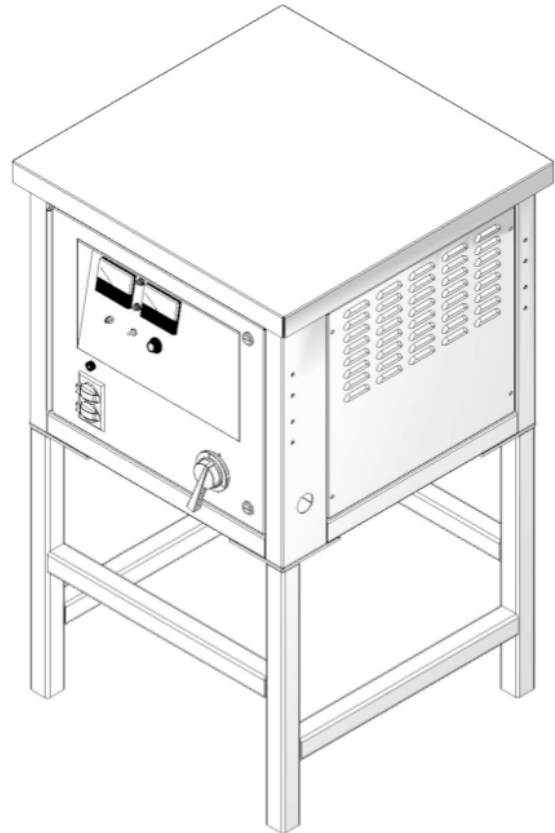
Dimensions: 51-76"H x 32"W x 30"D approximately or
Can be made Horizontal in about the same foot print for
trailer mounting.
Weight: 450 lbs. approximately

Description

The unit is a solid state DC power supply consisting of a SCR regulated full-bridge rectifier, DC filter, controls and monitoring. The DC power supply is designed and constructed using UL listed components and conforms to standards as described below.

Features

- Aircraft Quality Power
- Exceeds MIL-STD-704E
- Worldwide AC Input Capabilities:
Up to 600 VAC 3 ph
- $\pm 0.05\%$ Output Regulation
- Low Output Ripple
- UL, CSA, Approvals
- Mean Time Before Failure (MTBF) in Excess of 300,000 Hours
- 100% Burn-In
- 1 Year Warranty
- NEC, NEMA, ANSI, IEEE



Alternate Configuration, PAX-00XX Shown
(Note, drawing is for reference only.)

